



**HANBOO ENGINEERING**



# HANBOO HISTORY

- ◆ **NAME OF COMPANY : HANBOO ENGINEERING CO., LTD**
- ◆ **ESTABLISHMENT : JAN. 15. 1988**
- ◆ **TYPE OF FOUNDATION : ESTABLISHMENT OF JOINT  
WORK WITH FUJI SEIKO CO., LTD.**
- ◆ **DATE OF OPERATION : APR.1989**
- ◆ **CAPITAL : ₩ 2,300,000,000**
- ◆ **ADDRESS : 70,3gongdan 1-ro,Cheonan Seobuk  
Chungnam,331-980, Korea  
TEL : 041) 621-0543 FAX : 041) 621-3068  
<http://www.hbeg.co.kr>**

# HANBOO HISTORY

- 1988 Established in INCHEON
- 1989 Completed new plant in CHEONAN
- 1990 Launched business with HMC
- 1992 Development of crank bore line boring tool
- 1994 Awarded localization of tool by HMC
- 1994 Development of cylinder bore boring recess finishing tool
- 1995 Development of V/V seat & guide traverse type finish boring tool
- 1996 Development of cylinder bore honing tool

# HANBOO HISTORY

- 2002 Development of V/V seat plunge type boring tool
- 2005 Established CHANG CHUN HANBOO tool co., in china
- 2006 Development of cylinder head cam bore Guide boring tool
- 2008 Development of Trans mission case Dia Guide boring tool.
- 2011 Development of cylinder bore QT tool - finish auto bore boring tool
- 2012 Opened branch office in Beijing (China)
- 2013 Opened branch office in Yancheng (China)
- 2014 Opened branch office in Busan

# Domestic Customers

## AUTOMOBILE COMPANY

- ✓ HYUNDAI MOTOR COMPANY
- ✓ KIA MOTORS CORPORATION
- ✓ GM KOREA COMPANY
- ✓ SSANGYONG MOTOR COMPANY
- ✓ SAMSUNG MOTOR COMPANY

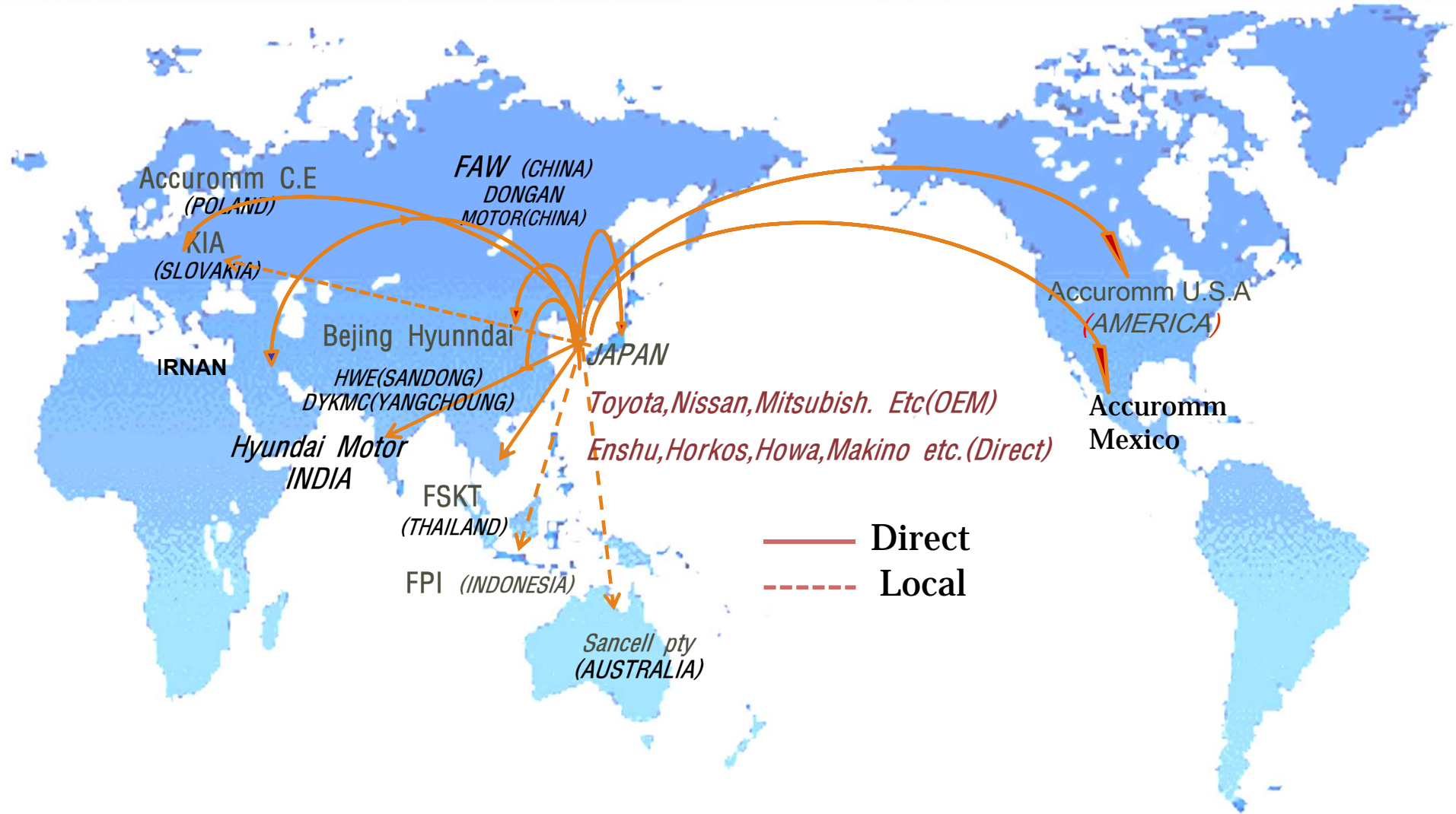
## MACHINE TOOL COMPANY

- ✓ H.M.C MACHINE TOOL DIVISION
- ✓ HYUNADI WIA COPORATION
- ✓ DOOSAN INFRACORE
- ✓ HWACHEON MACHINERY WORKS CO.,LTD.
- ✓ KUKJE DIAMOND IND CO., LTD.

## COOPERATION COMPANY

- ✓ HYUNDAI POWERTEC.
- ✓ DAESEUNG PRECISION CO.,LTD.
- ✓ DAERIM ENTERPRISE CO., LTD
- ✓ DAERIM C & C CO.,LTD.
- ✓ NEO OTO.CO., LTD
- ✓ DONG BO CO., LTD

# Overseas Customers



# FUJI SEIKO GROUP GLOBAL NETWORK



## C-max GROUP (Global Network)

Making full use of our global network;  
our company is paving the way to the future

Products that are competitive in terms of quality,  
cost and delivery time are supplied to our customers worldwide.

Our global network performs two tasks:

One is to localize our business, staying close to our customers and providing them with maximum service around the world.

The second is to respond to our customers' needs in the most efficient way possible.

When we receive an order, we immediately decide which of our HANBOO plants can most effectively secure or manufacture the products, so that the customer's demand for high quality, low cost and prompt delivery can be guaranteed.



**Head Office / Main Plant**  
Business Activities : Administration of companies, Development of advanced technologies, Design, manufacture and sales of cutting tools, holders, measuring gauges, fixturs, automotive parts for trial, injection molding, etc.



**Kumamoto Plant / Office**  
Business Activities : Design, manufacture and sales of cutting tools and holders



**Kagoshima Plant**  
Business Activities : Manufacture of holders



**ACCURORMM CENTRAL EUROPE Sp. z o.o.**  
Road w/warszawy (under construction)  
UL. MINSKA 305A-410 WROCLAW 51-610  
POLAND



**CHANGCHUN HANBOO ENGINEERING CO., LTD**  
434 PUTIAN ROAD, GAOJIN CHANGCHUN CITY, JILIN, CHINA  
TEL. 86-1036454677 POST CODE: 130000



**HANBOO ENGINEERING CO., LTD.**  
734, Baeg Seog-Dong, Cheon An, Chung Cheong Nam Do, 330-220, Korea  
Business Activities : Design, Manufacture and sales of cutting tools and holders



**ACCURORMM U.K. LTD**  
Parley Way, Crowhill Mill, Keynes, MK9 0ES, Buckinghamshire, ENGLAND Business Activities : Design, manufacture and sale of injection moldings, Manufacture and sale of plastic parts, Sales of cutting tools and holders



**FSKITHAILANDICO, LTD**  
101 MOO 114-Tech Industrial Estate, Asian highway KM.39-40,Bantak, Bang PA In, AYUTTHAYA 13160 Business Activities : Manufacture and sales of cutting tools and grinding wheels, Sale of holders



**TT FUJITOOL SUPPORT CO., LTD**  
703/147 MOO 1 BAN-GNA-1 ROAD RD. KM. 57 T.BAN-KHAGAJA-PAN-HONG,CHORNBURI 26160 Business Activities : Sales of cutting tool and holders



**P.T.FUJII PRESESI TOOL INDONESIA**  
EUP Industrial Park Plo.3B-2, Lemahabad, Bekasi 17530 INDONESIA Business Activities : Design, Manufacture and sales of cutting tools and holders.



**GUANGZHOU FUJI TOOL CO., LTD**  
China, Guizhou Chifan'er construction Jianshe Road, Yonghe Economic Zone,08100 Guangzhou P.R.C.511864 CHINA



**DALIAN FUJI TOOL CO., LTD**  
2104 Xiangzhou Road, Shinkou Dist, Dalian, China Business Activities : Design, Manufacture and sales of cutting tools and holders



**SANCELL PTY LTD**  
38 Jervis St, Brisbane, Victoria, Australia3195 Business Activities : Manufacture and sales of cushioning products for packing and insulation for building and packaging, Sales of cutting tools and holders



**ACCURORMM U.S.A. INC.**  
101 West Hempton Drive Lexington, KY 40511 U.S.A Business Activities : Design, Manufacture and sales of cutting tools and holders

**HANBOO ENGINEERING CO., LTD.**

# Total Tooling Process (1/2)

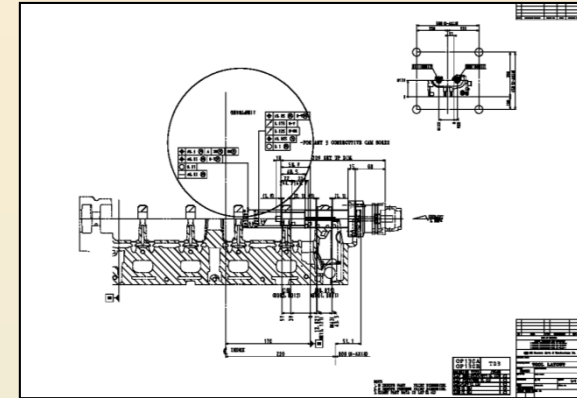
Machine



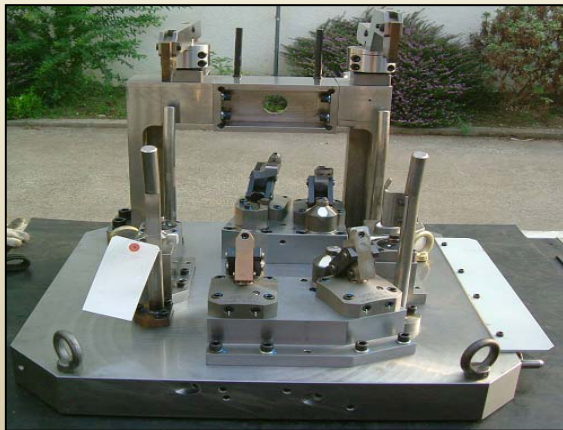
Work



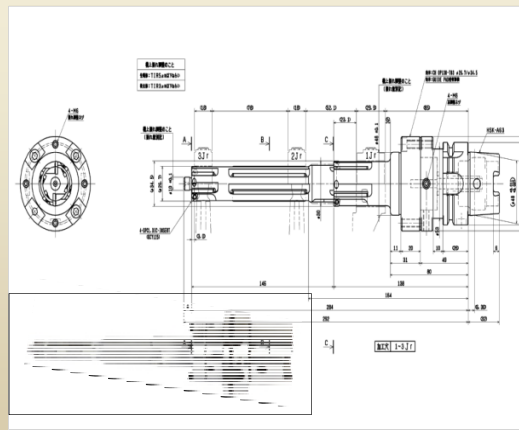
Process sheet



Fixture



Tooling



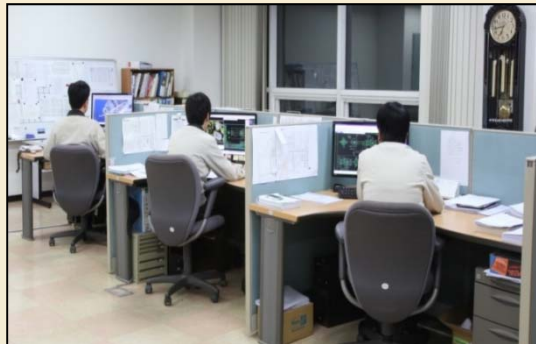
Technical meeting





# Total Tooling Process (2/2)

Tool design



NC programing



Tool product



Try-out



Work inspection



Inspection Report

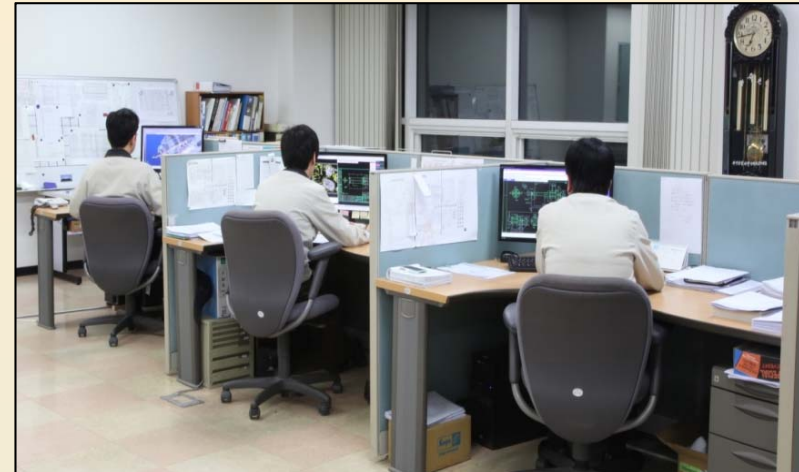
한부엔지니어링 (주) HBC (13)		검사 성적서 Inspection Report		검사 일자	검사 장소	검사 품목																																																																																																						
회. 번	01700001011260230	호. 명	13P HBC-L02R	2011-11-09	한부 엔지니어링 (주)	검사 품목																																																																																																						
출판 NO	0413521-0543	검사 LOT#	0	검사 방법	2013.11.13																																																																																																							
포장시 명칭																																																																																																												
<table border="1"> <thead> <tr> <th>검사 항목</th> <th>기준치</th> <th>허용치</th> <th>검사방법</th> <th>측정치 (□ □ □ □ □ □ □ □ □ □)</th> <th>결과</th> </tr> </thead> <tbody> <tr> <td>1. TAPER</td> <td>HSK-A63</td> <td>HSK-A63 TAPER GAUGE</td> <td>공차범 90%이상</td> <td></td> <td>O.K</td> </tr> <tr> <td>2. 안경 외경</td> <td>φ22</td> <td>+0.025</td> <td>다차용 다차용계량기</td> <td>+0.018 +0.018 +0.018 +0.018 +0.018</td> <td>O</td> </tr> <tr> <td>3. 안경 외경</td> <td>φ21.0</td> <td>±0.05</td> <td>다차용 다차용계량기</td> <td>-0.032 -0.048 -0.048 -0.048 -0.048</td> <td>O</td> </tr> <tr> <td>4. SHANK 외경</td> <td>φ60</td> <td>±0.005</td> <td>외경 마이크로미터</td> <td>0 -0.001 0 0 0 0</td> <td>O</td> </tr> <tr> <td>5. SHANK 외경</td> <td>φ58</td> <td>+0.030</td> <td>외경 마이크로미터</td> <td>+0.020 +0.010 +0.015 +0.015 +0.022</td> <td>O</td> </tr> <tr> <td>6. 경도</td> <td>HRC48-52</td> <td></td> <td>경도 측정기</td> <td>48.7 49.5 49.5 49.5 49.0</td> <td>O</td> </tr> <tr> <td>7. 기타</td> <td></td> <td></td> <td></td> <td></td> <td></td> </tr> <tr> <td>8.</td> <td></td> <td></td> <td></td> <td></td> <td></td> </tr> <tr> <td>9.</td> <td></td> <td></td> <td></td> <td></td> <td></td> </tr> <tr> <td>10.</td> <td></td> <td></td> <td></td> <td></td> <td></td> </tr> <tr> <td>11.</td> <td></td> <td></td> <td></td> <td></td> <td></td> </tr> <tr> <td>12.</td> <td></td> <td></td> <td></td> <td></td> <td></td> </tr> <tr> <td>13.</td> <td></td> <td></td> <td></td> <td></td> <td></td> </tr> <tr> <td>14.</td> <td></td> <td></td> <td></td> <td></td> <td></td> </tr> <tr> <td>15.</td> <td></td> <td></td> <td></td> <td></td> <td></td> </tr> <tr> <td>16.</td> <td></td> <td></td> <td></td> <td></td> <td></td> </tr> </tbody> </table>							검사 항목	기준치	허용치	검사방법	측정치 (□ □ □ □ □ □ □ □ □ □)	결과	1. TAPER	HSK-A63	HSK-A63 TAPER GAUGE	공차범 90%이상		O.K	2. 안경 외경	φ22	+0.025	다차용 다차용계량기	+0.018 +0.018 +0.018 +0.018 +0.018	O	3. 안경 외경	φ21.0	±0.05	다차용 다차용계량기	-0.032 -0.048 -0.048 -0.048 -0.048	O	4. SHANK 외경	φ60	±0.005	외경 마이크로미터	0 -0.001 0 0 0 0	O	5. SHANK 외경	φ58	+0.030	외경 마이크로미터	+0.020 +0.010 +0.015 +0.015 +0.022	O	6. 경도	HRC48-52		경도 측정기	48.7 49.5 49.5 49.5 49.0	O	7. 기타						8.						9.						10.						11.						12.						13.						14.						15.						16.					
검사 항목	기준치	허용치	검사방법	측정치 (□ □ □ □ □ □ □ □ □ □)	결과																																																																																																							
1. TAPER	HSK-A63	HSK-A63 TAPER GAUGE	공차범 90%이상		O.K																																																																																																							
2. 안경 외경	φ22	+0.025	다차용 다차용계량기	+0.018 +0.018 +0.018 +0.018 +0.018	O																																																																																																							
3. 안경 외경	φ21.0	±0.05	다차용 다차용계량기	-0.032 -0.048 -0.048 -0.048 -0.048	O																																																																																																							
4. SHANK 외경	φ60	±0.005	외경 마이크로미터	0 -0.001 0 0 0 0	O																																																																																																							
5. SHANK 외경	φ58	+0.030	외경 마이크로미터	+0.020 +0.010 +0.015 +0.015 +0.022	O																																																																																																							
6. 경도	HRC48-52		경도 측정기	48.7 49.5 49.5 49.5 49.0	O																																																																																																							
7. 기타																																																																																																												
8.																																																																																																												
9.																																																																																																												
10.																																																																																																												
11.																																																																																																												
12.																																																																																																												
13.																																																																																																												
14.																																																																																																												
15.																																																																																																												
16.																																																																																																												
검사자: 00110000000000000000 승인: _____ 검사장: _____ 검사 결과: <b>합, 불</b> 검사장: _____ 검사 일자: _____ 검사 품목: _____																																																																																																												

# Tooling & Program Processing

Research & Development



Tool Design



NC Programing



CAM Programing



# Advanced Product System

Machining Center



NC Jig  
Grinder



Wire & EDM



6Axis Tool  
Grinder



# Quality Inspection

Digital Height Gauge



Measuring Microscope

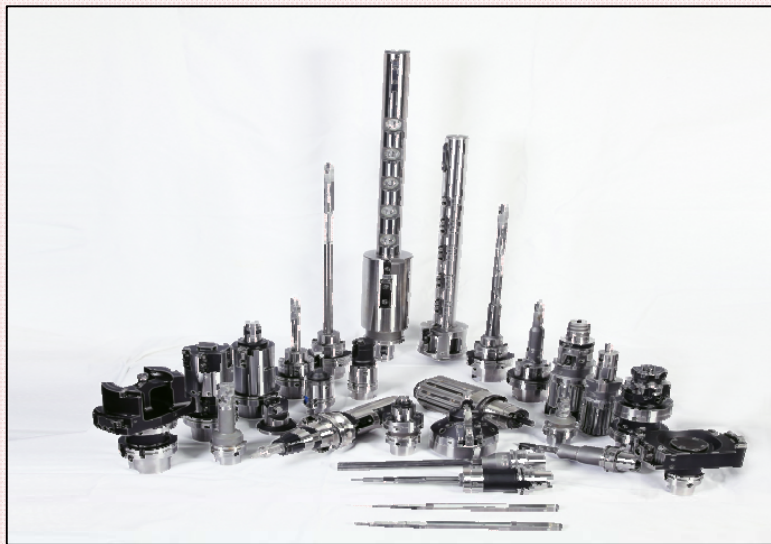


Profile Project



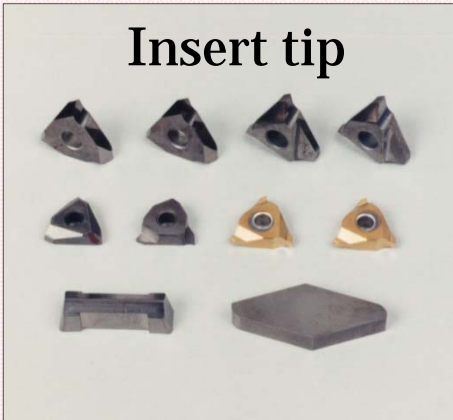
# Total tooling products (1/2)

## Special boring tool

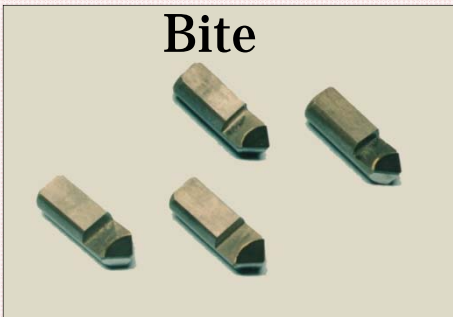


# Total tooling products (2/2)

Insert tip



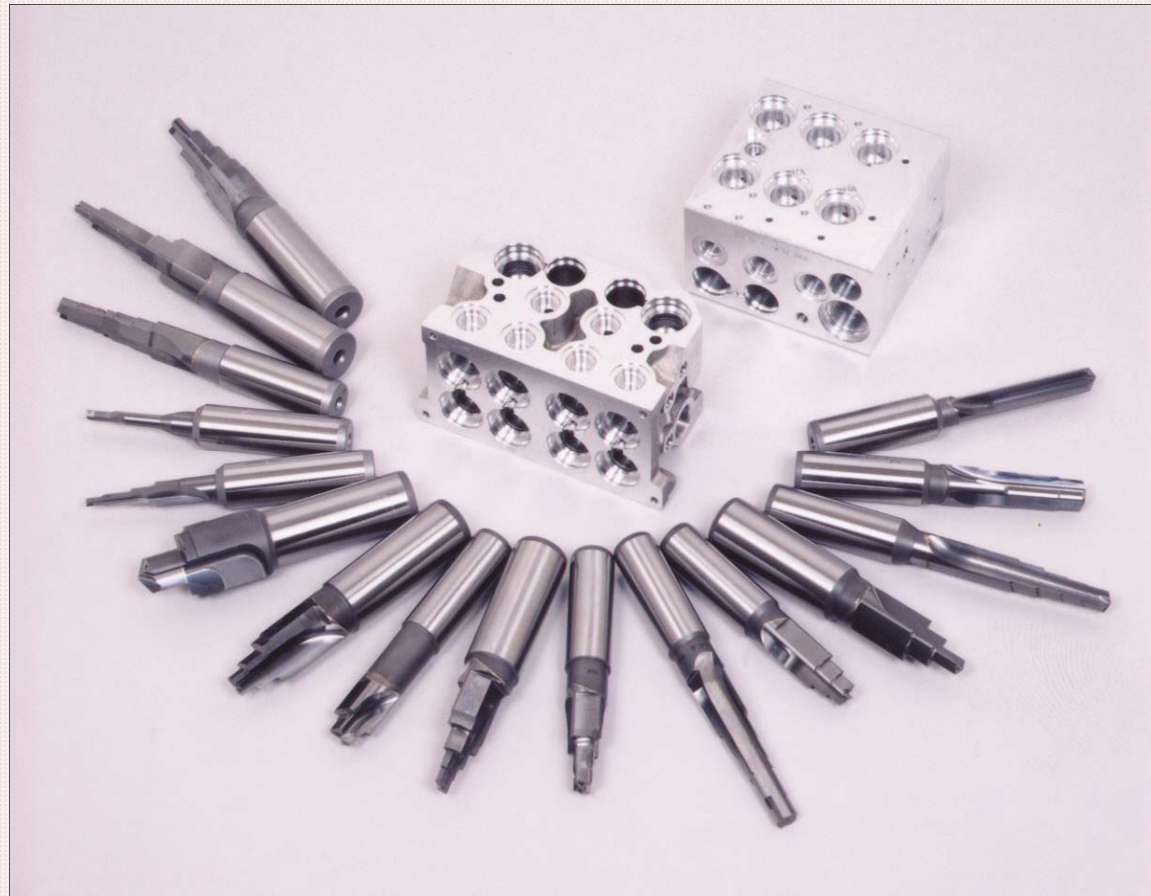
Bite



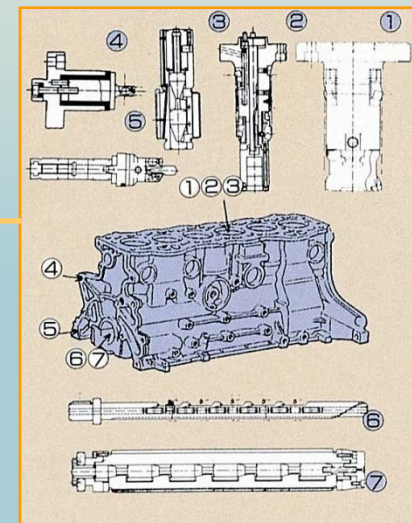
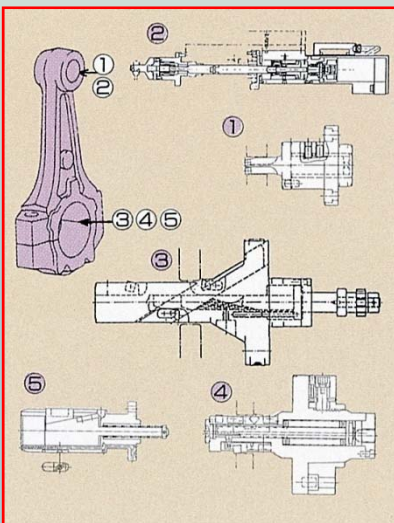
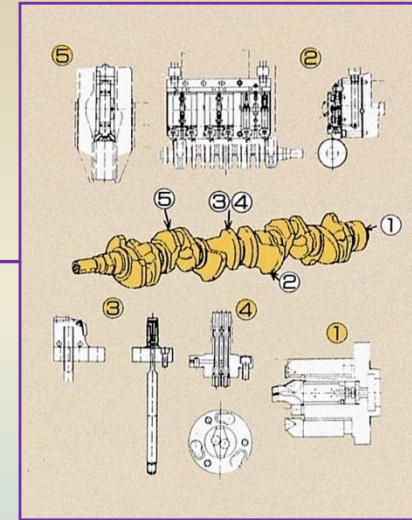
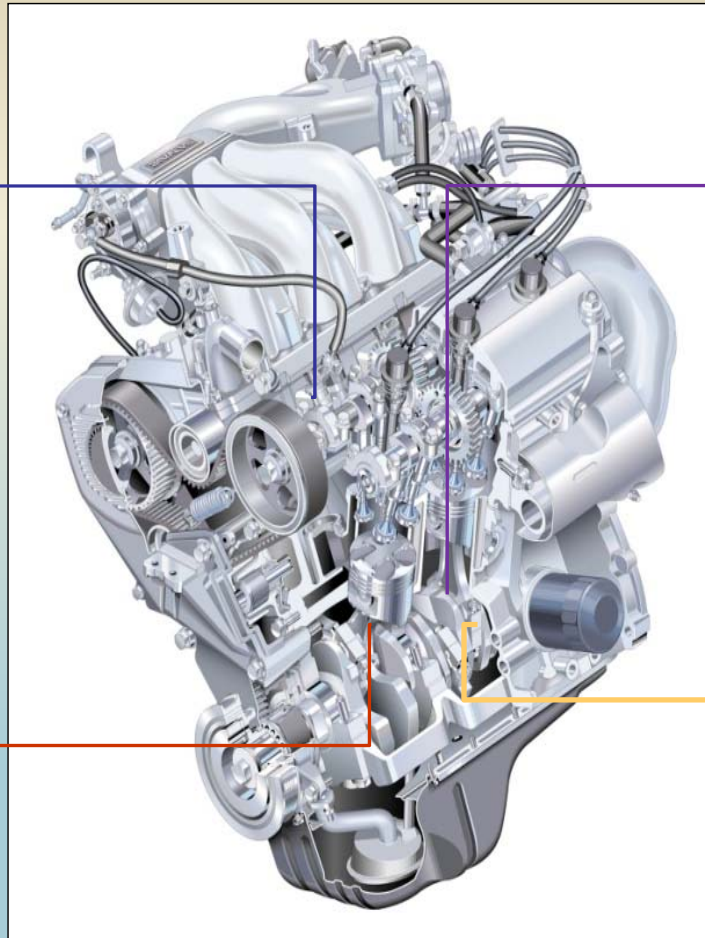
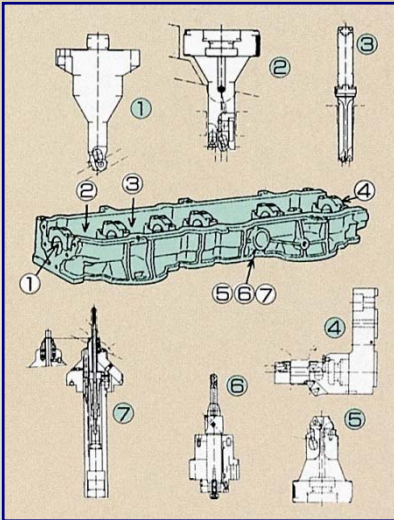
Diamond Reamer



Special DRILL & REAMER( for ABS)



# Machining parts





HANBOO ENGINEERING CO.,LTD

*Thank you!*

**HANBOO**  
**ENGINEERING., CO.LTD**